



Snow V blade

VB



Technical Specification

Snowplow to remove snow from roads, yards and squares.

Anti-shock trip device acting on the blade with spring loaded section.

Hydraulic swing control, $\pm 35^\circ$ Right or Left with **independent movement** of 2 sides.

Floating tilt $\pm 10^\circ$ with spring loaded repositioning

to central position for best ground copying even on different gradient between machine and plow.

Blade made by **anti wear steel** bolted on its seat.





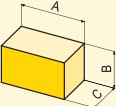
Wear blade by Vulkollan on request suitable to prevent ground damage.

Lights kit on request.

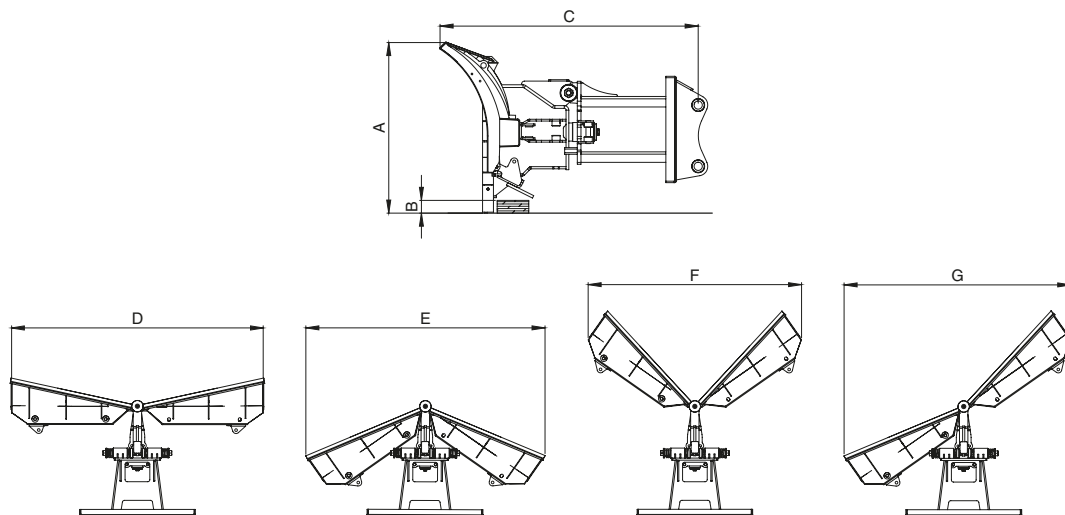
Mechanical floating system (on request).



Snow V blade

MODEL		VB 180	VB 210	VB 240	VB 270	VB 280	VB 300	VB 320	
Technical specification	um								
Working width, aligned blades D	mm	1800	2100	2400	2700	2800	3060	3260	
Working width, angled blades E F G	mm	1490	1730	1990	2230	2260	2450	2635	
	Blades height A	750		940		1015			
	Max oil pressure	240							
Weight standard configuration	kg	360	400	580	620	710	760	810	
Max kerb B	mm	120		130		140			
	C	1210		1430		1450			
Floating tilt with spring		± 10°							
Hydraulic angle control	mm	± 35°							
	ton	1,6-2,2	2,0-3,2	3,0-4,2	3,8-4,8	–	–	–	
	ton	2,0-3,0	2,9-4,2	3,8-4,8	4,2-5,4	5,2-7,0	6,4-8,2	7,6-8,8	
	ton	3,0-3,8	3,2-4,6	4,2-5,4	4,8-5,8	5,6-7,8	7,0-8,6	7,4-9,0	
	ton	–	4,0-5,0	4,4-5,4	4,8-5,8	5,2-6,8	5,8-8,0	6,8-9,0	
	Overall size in standard configuration	A cm	180	210	240	270	280	306	326
		B cm	75	75	94	97	102	102	102
		C cm	112	112	133	133	135	135	135

WORKING DIMENSIONS



Position lights kit

On request for mod. VB180 / VB210 / VB240 / VB270
Standard for mod. VB280 / VB300 / VB320

ACCESSORIES FOR OPERATING MACHINES



Via E. Mattei, 4 - 48012 Bagnacavallo RA - Italy
tel + 39 0545 62712 fax +39 0545 62140
info@gfgordini.com - www.gfgordini.com

we move earth

