

TRIMBLE EARTHWORKS GO!

2D GRADE CONTROL SYSTEM FOR COMPACT GRADING ATTACHMENTS



Trimble Earthworks GO! can be used by contractors involved in general construction, site preparation and utility work for grading flat and simple slopes. The system leverages laser technology to provide dynamic, real-time position information that allows the operator to grade or cut profiles quickly and accurately.

The platform requires little training time and can increase an operator's productivity up to 20 percent. At the core of the system is the Earthworks GO! software that guides the user through installation, setup and operating modes. The software was specifically designed for local small site contractors and owner-operators, featuring unparalleled ease-of-use. iOS and Android compatibility allows operators to use their smartphone as the primary machine interface.

Trimble Earthworks GO! is the easiest system on the market to install. Trimble's proprietary GO! Box enables full sensing technology with no mounting hardware needed. Contractors can save machine profiles to the GO! Box to ensure the grading attachment only needs to be set up once. This innovative capability makes it quick and easy to move the system between machines.

EASY-TO-USE, PORTABLE PLATFORM



UNPARALLELED PORTABILITY

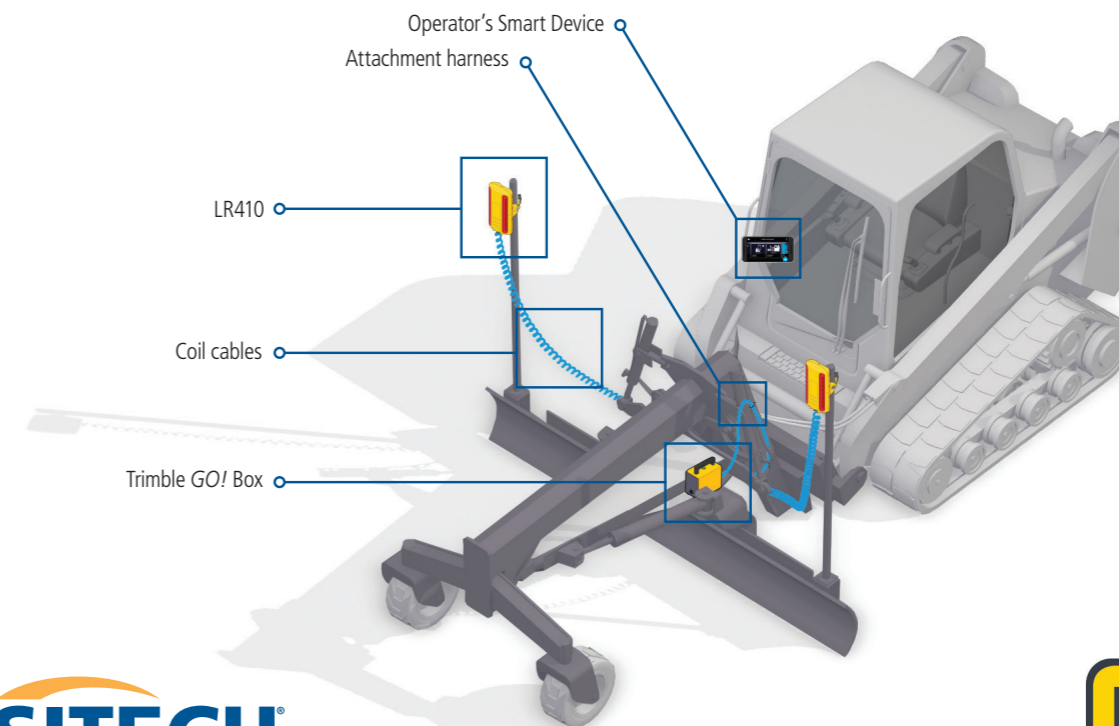
Earthworks GO! proprietary Trimble GO! Box technology lets contractors quickly swap the system between machines to take care of the job at hand. Save machine profiles to the GO! Box to ensure you only have to set up your machines once, so you can get back to work.

Ultra-portable and intuitive, Earthworks GO! provides high accuracy performance in all common grading applications such as pads, car parks, sports fields, landscaping and more. It also works across the entire fleet of attachments for compact track and skid steer loaders.

GF GORDINI LEVELING GRADER

Leveling grader GF Gordini is available in three sizes depending on machine width (LG 210, LG 240 or LG 270). The strong reinforced structure ensures perfect flexibility and resistance to shocks. The fully hydraulic control of the blade allows for precise slopes and level floors.

The Proportional hydraulic version ("P" version) is characterized by the various blade movements and articulations being smoothly controlled. This allows for optimal performance when used with Machine Control systems.



XXXXXXXX

XXXXXXXXXXXXXXXXXX
 XXXXXXXXXXXXXXXX
 XXXXXXXXXXXXXXXXXXXX
 XXXXXXXXXXXXXXXX
 XXXXXXXXXXXXXXXX



G.F. GORDINI SRL

VIA E. MATTEI, 4
 48012 BAGNACAVALLO (RA) - ITALY
 TEL. +39 0545 62712
 INFO@GFGORDINI.COM
 WWW.GFGORDINI.COM



YOUR CONSTRUCTION TECHNOLOGY PROVIDER