



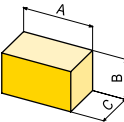




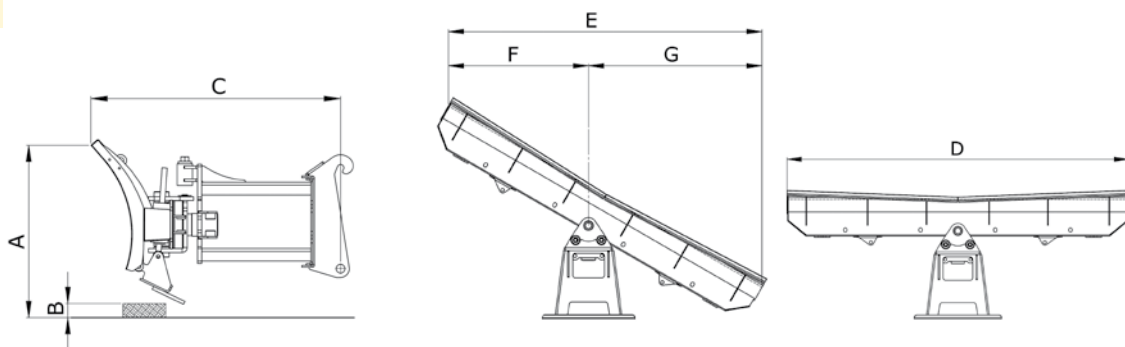
SNOWFLOW



TECHNICAL SPECIFICATION

Model		LN 16.70	LN 18.70	LN 21.70	LN 24.70	LN 24.80	LN 27.80	LN 26.100	LN 28.100	LN 30.100	LN 32.100	
Blade width D	mm	1600	1820	2100	2400	2400	2700	2600	2800	3060	3260	
Blade height A	mm	700				800		1000				
Max oil pressure	bar	240										
Weight	kg	300	310	325	340	460	480	785	800	890	915	
Max kerb B	mm	120				130		140				
C	mm	990				1150		1400				
E	mm	1390	1580	1820	2080	2080	2340	2250	2420	2650	2825	
F	mm	590	690	820	940	915	1045	1035	1100	1180	1265	
G	mm	800	890	1000	1140	1165	1295	1215	1320	1470	1560	
Floating tilt with spring		±10°				±10°		±10°				
Rh and Lh hydraulic blade swing		±35°										
	ton	1,3 - 2,0	1,6 - 2,2	2,0 - 2,8	2,6 - 3,4	3,0 - 4,2	3,8 - 5,2	---	---	---	---	
	ton	1,8 - 2,6	2,4 - 3,0	2,9 - 4,2	3,5 - 4,8	3,8 - 4,4	4,2 - 5,4	5,2 - 6,8	5,6 - 7,0	6,4 - 8,2	7,6 - 8,8	
	ton	---	3,0 - 3,8	3,2 - 4,4	3,8 - 5,0	4,2 - 5,4	4,8 - 5,8	5,6 - 7,0	6,6 - 7,8	7,0 - 8,6	7,4 - 9,0	
	ton	---	---	---	---	4,6 - 5,6	4,8 - 7,0	4,8 - 5,8	5,0 - 6,8	5,4 - 8,4	6,8 - 9,0	
Overall size in standard configuration		A cm	160	182	210	240	240	270	260	280	306	326
	B cm	70	70	70	70	80	80	100	100	100	100	100
	C cm	99	99	99	99	115	115	140	140	140	140	140

Working dimensions



Position lights kit

On request for mod. LN16.70/LN18.70/LN21.70/LN24.70/LN24.80/LN27.80
Standard for mod. LN26.100/LN28.100/LN30.100/LN32.100



G.F. Gordini srl

Via E. Mattei, 4 - 48012 Bagnacavallo RA - Italy
tel. +39 0545 62712 fax +39 0545 62140
info@gfgordini.com - www.gfgordini.com

ACCESSORI PER MACCHINE OPERATRICI

Data, descriptions and images of this document are not binding
hence GF Gordini reserves the right to alter part or all of them at any time with no notice.