



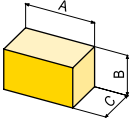


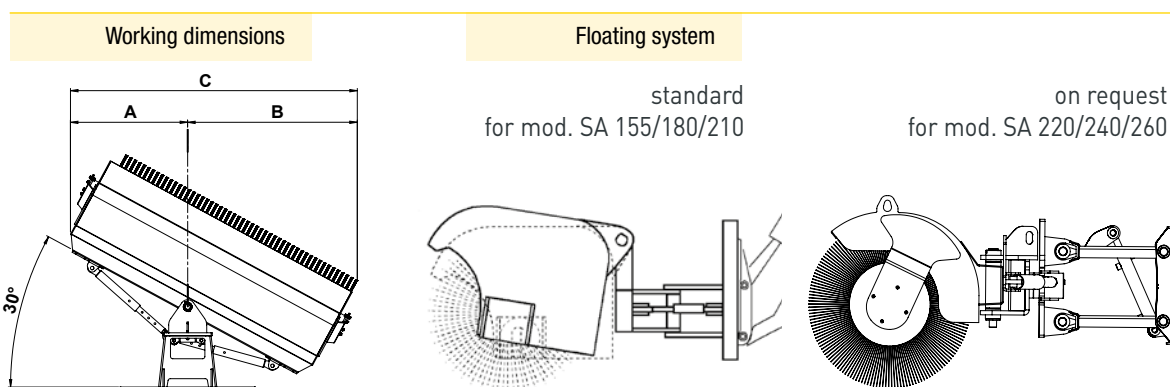
**ANGLE BROOM**



# TECHNICAL SPECIFICATION

Model		SA 155	SA 180	SA 210	SA 220	SA 240	SA 260	
Working width	mm	1550	1800	2100	2200	2400	2600	
Overall width	mm	1670	1920	2220	2330	2560	2760	
Oil flow, min-max	lt/min	30 - 40	30 - 50	50 - 90	70 - 100	90 - 130	100 - 140	
Oil pressure, min-max	bar	160 - 240		180 - 240		190 - 250		
Weight standard configuration	kg	280	310	360	620	660	690	
Broom material		replaceable polypropylene discs						
Broom	Ø mm	550 x n.34	550 x n.39	550 x n.46	800 x n.49	800 x n.53	800 x n.58	
Mechanical tilt <sup>(1)</sup>		± 30°						
A	mm	365	475	605	917	1011	1091	
B	mm	975	1085	1215	1353	1447	1527	
C	mm	1340	1560	1820	2270	2458	2618	
	ton	2,0 - 2,8	2,3 - 3,5	3,5 - 4,8	---	---	---	
	ton	2,0 - 3,0	2,8 - 4,4	4,0 - 5,6	5,8 - 8,0	7,5 - 12,0		
	ton	2,0 - 3,5	2,9 - 4,5	4,2 - 6,2	7,0 - 9,0	8,0 - 10,0		
	ton	---	4,0 - 5,0	4,5 - 6,0	5,5 - 8,0	7,5 - 12,0		
<b>Overall size in standard configuration</b>		A cm	167	192	225	233	256	276
		B cm	64	64	80	87	87	87
		C cm	120	120	120	183	183	183

<sup>(1)</sup> Hydraulic on request



**G.F. Gordini srl**

Via E. Mattei, 4 - 48012 Bagnacavallo RA - Italy

tel. +39 0545 62712 fax +39 0545 62140

info@gfgordini.com - www.gfgordini.com

**ACCESSORI PER MACCHINE OPERATRICI**

Data, descriptions and images of this document are not binding hence GF Gordini reserves the right to alter part or all of them at any time with no notice.